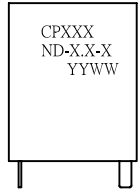
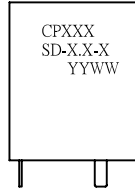




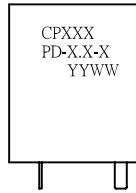
Product Name : Current Sensor (Single Voltage Supply)



N Type



S Type



P Type

FEATURES

- ◎ Compact and light weight
- ◎ Quick response speed
- ◎ Excellent linearity
- ◎ No damage by one-short over-current
- ◎ Excellent frequency response
- ◎ Capability of measuring AC/DC current
- ◎ Capability of providing complete isolation between the measuring circuit and the current-carrying conductor

APPLICATION

- ◎ AC and DC servo system
- ◎ General and special purpose inverters
- ◎ Industrial robots
- ◎ UPS system
- ◎ Inverter controlled welding machines
- ◎ Controller of elevators
- ◎ Speed controller of motor.
- ◎ Controller of electrical vehicles
- ◎ Controller of traction equipment such as electric trains
- ◎ Other automatic control system.

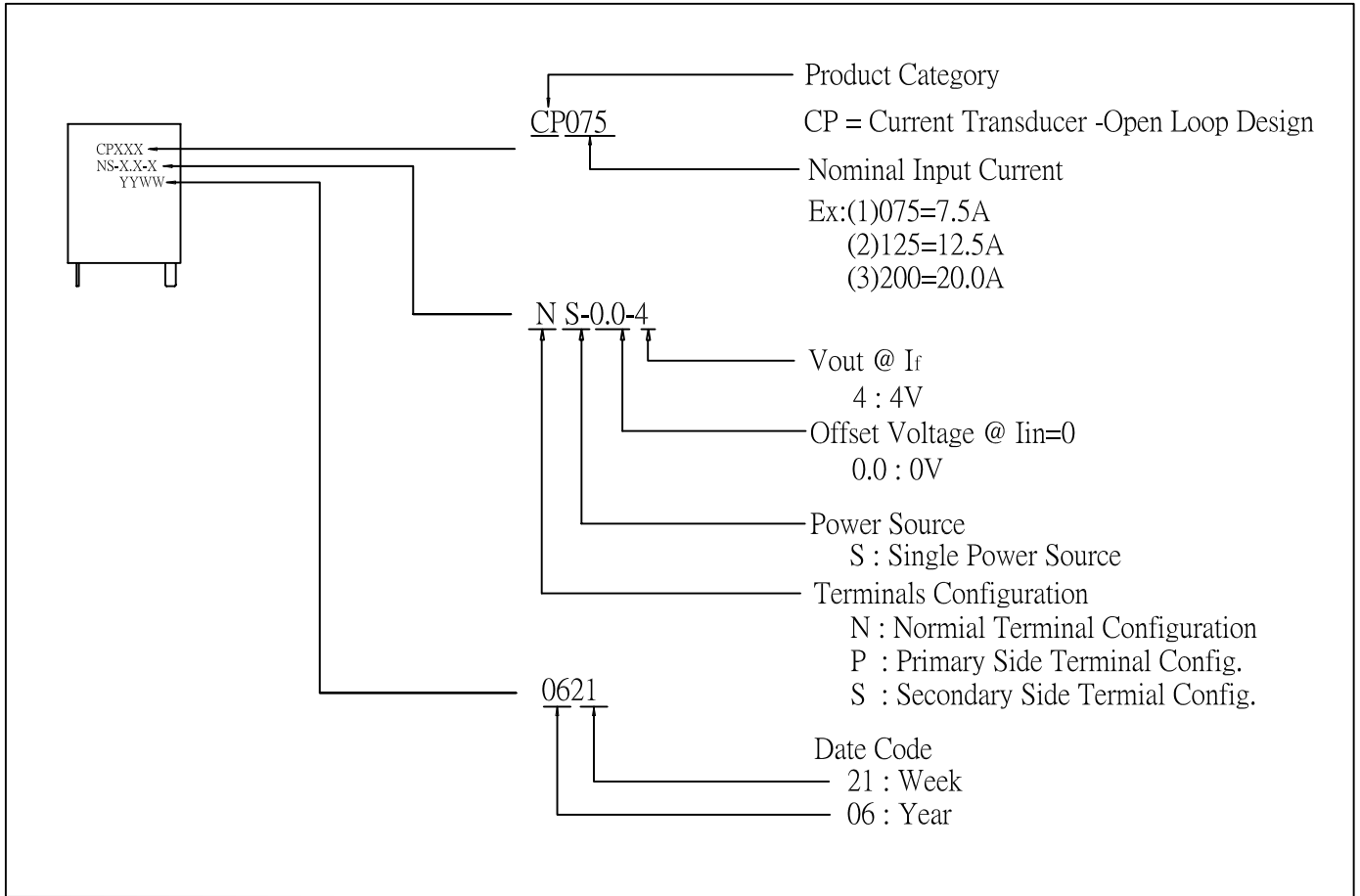


ELECTRICAL CHARACTERISTICS (Ta=25°C, Vcc=+12V)

Symbol	Parameter	Unit	20A	30A	50A
I	Span(A) Primary Current	ADC	±20	±30	±50
Vcc	Supply Voltage	VDC	+12 V ±5%		
Ic	Current Consumption	mA	11~13 mA		
Vis	R.M.S Voltage for 2.5KVAC Isolation test, 60/50 Hz, 1.0min	mA	<10 mA		
Ris	Isolation Resistance at 500 VDC	Mohm	>500 Mohm		
Vovr	Remaining Voltorge(at Ispan = 0)	VDC	+2.500V ±0.060V		
RL	Load Resistor	Kohm	>10 Mohm		
Rout	Output Impedance	Ohm	<150 ohm		
Vout	Output Voltage at Ispan, If@25°C	VDC	+4.500 V ±0.060V		
EL	Linearity from 0 to Ispan If@25°C	%	±2 %		
Voe	Electrical Offset Voltage, TA = 25°C	mV	<60 mV		
Vot	Thermal Drift of offset Voltage	mV/°C	<±4 mV/°C		
T.C	Thermal Drift	%/°C	<±0.15%/°C		
tr	Response Time di/dt = 100AT/us	us	<20us		
fb	Frequency Bandwidth (-3dB)	KHz	<50KHz		
TA	Ambient Operating Temperature	°C	-10~+75°C		
TS	Ambient Storage Temperature	°C	-25~+85°C		



MARKING & HOW TO ORDER

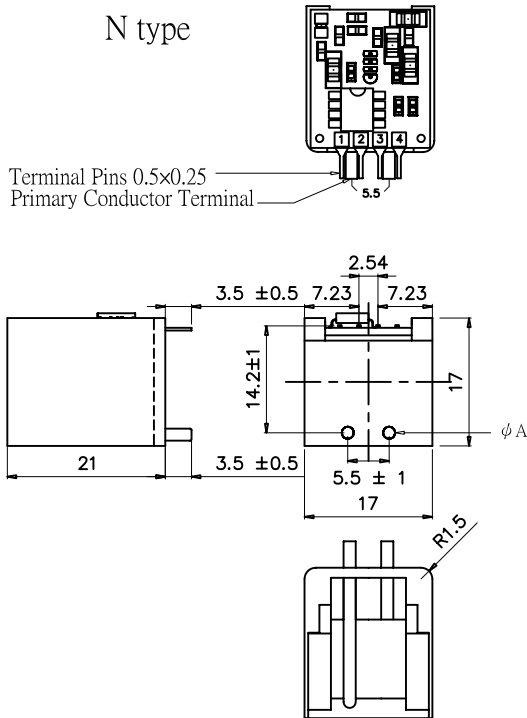


Single Voltage Supply Type		
Ispan(A)	ϕ A(mm)	Turn(T)
20	1.5	3T N & S & P-TYPE
30	1.6	2T N & S & P-TYPE
50	1.6	1T 2 Parallel wire wound N-TYPE



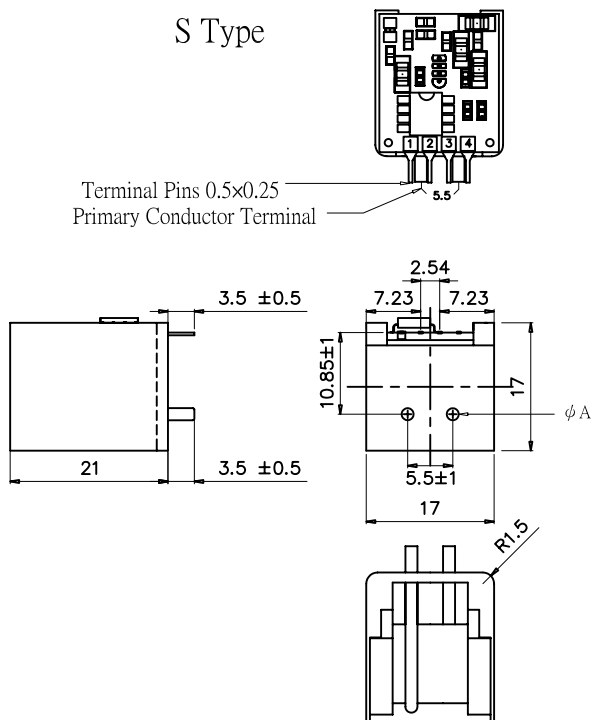
OUTLINE DIMENSION (Unit:mm)

N type



- Single Power Source Type
Terminal Pin Identification
1. NC
 2. GROUND
 3. +12V SUPPLY VOLTAGE
 4. OUTPUT
 5. If+ Positive Primary Current
 6. If- Negative Primary Current

S Type



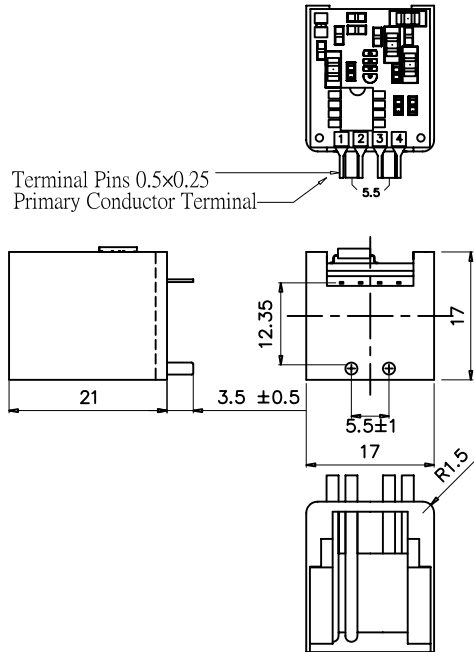
- Single Power Source Type
Terminal Pin Identification
1. NC
 2. GROUND
 3. +12V SUPPLY VOLTAGE
 4. OUTPUT
 5. If+ Positive Primary Current
 6. If- Negative Primary Current



均鈺科技股份有限公司

HYPRO ENTERPRISE CO., LTD.

P Type



Single Power Source Type
Terminal Pin Identification

1. NC
2. GROUND
3. +12V SUPPLY VOLTAGE
4. OUTPUT
5. If+ Positive Primary Current
6. If- Negative Primary Current

均鈺科技股份有限公司

桃園縣八德市和平路772巷20號

電話:886-3-3756109 傳真:886-3-3756108

網頁:<http://www.hypro.com.tw/>

聯絡人:鄭原輝 先生 hypro@ms5.hinet.net